

CUT-Line

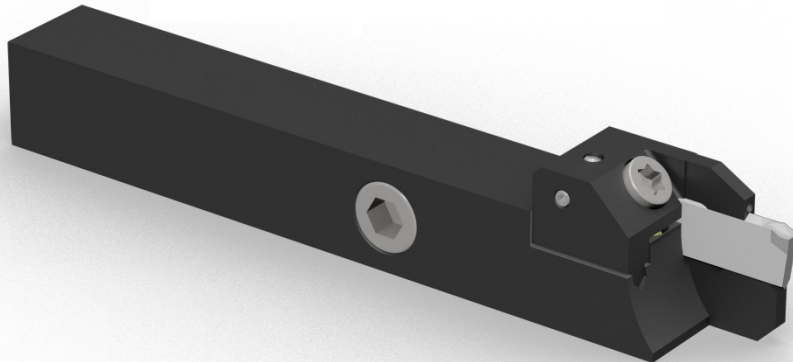
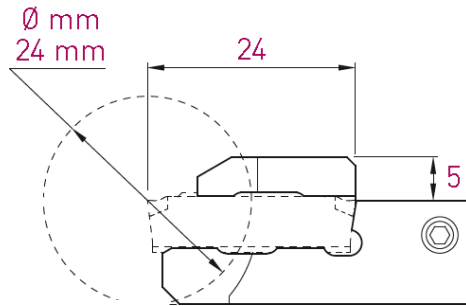
Porte-outils avec / sans arrosage intégré

Halter mit / ohne integrierter Kühlmittelzufuhr

Holders with / without integrated coolant supply

CUT 22 – Ø 24 mm

HF Series / HF-JET Series



L	R
Art. N°	Art. N°
CUT22-H1012LF-D24	CUT22-H1012RF-D24
CUT22-H1012LF-JET24	CUT22-H1012RF-JET24
CUT22-H1212LF-D24	CUT22-H1212RF-D24
CUT22-H1212LF-JET24	CUT22-H1212RF-JET24
CUT22-H1212LF-90-D24	CUT22-H1212RF-90-D24
CUT22-H1212LF-90-JET24	CUT22-H1212RF-90-JET24
CUT22-H1616LF-D24	CUT22-H1616RF-D24
CUT22-H1616LF-JET24	CUT22-H1616RF-JET24
CUT22-H2020LF-D24	CUT22-H2020RF-D24
CUT22-H2020LF-JET24	CUT22-H2020RF-JET24



APPLITEC
SWISS TOOLING